

**GOAL**  
**SINGLE CYLINDER**  
GK725H - GK625H - GK525H



# SINGLE CYLINDER

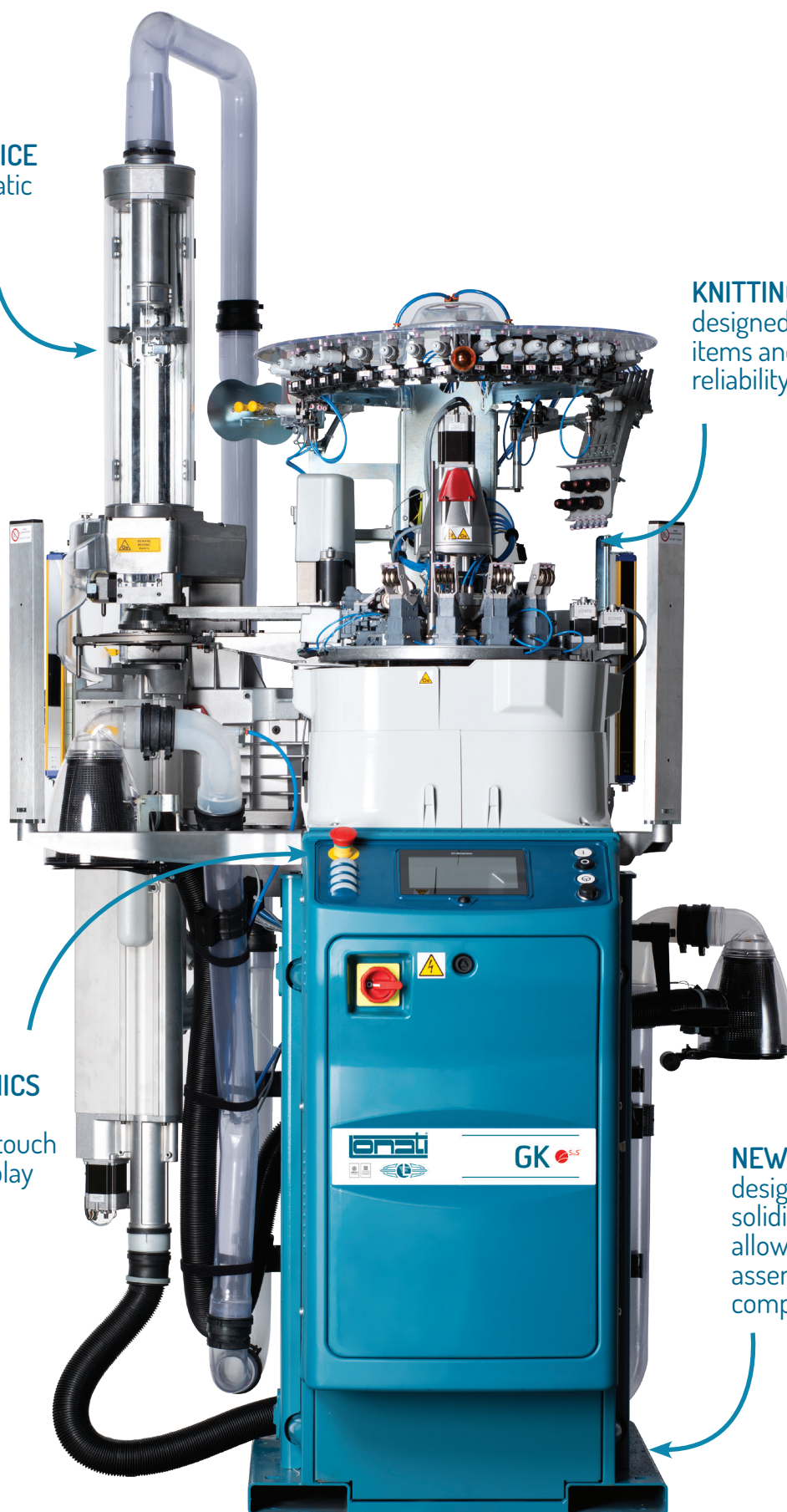
GK725H - GK625H - GK525H

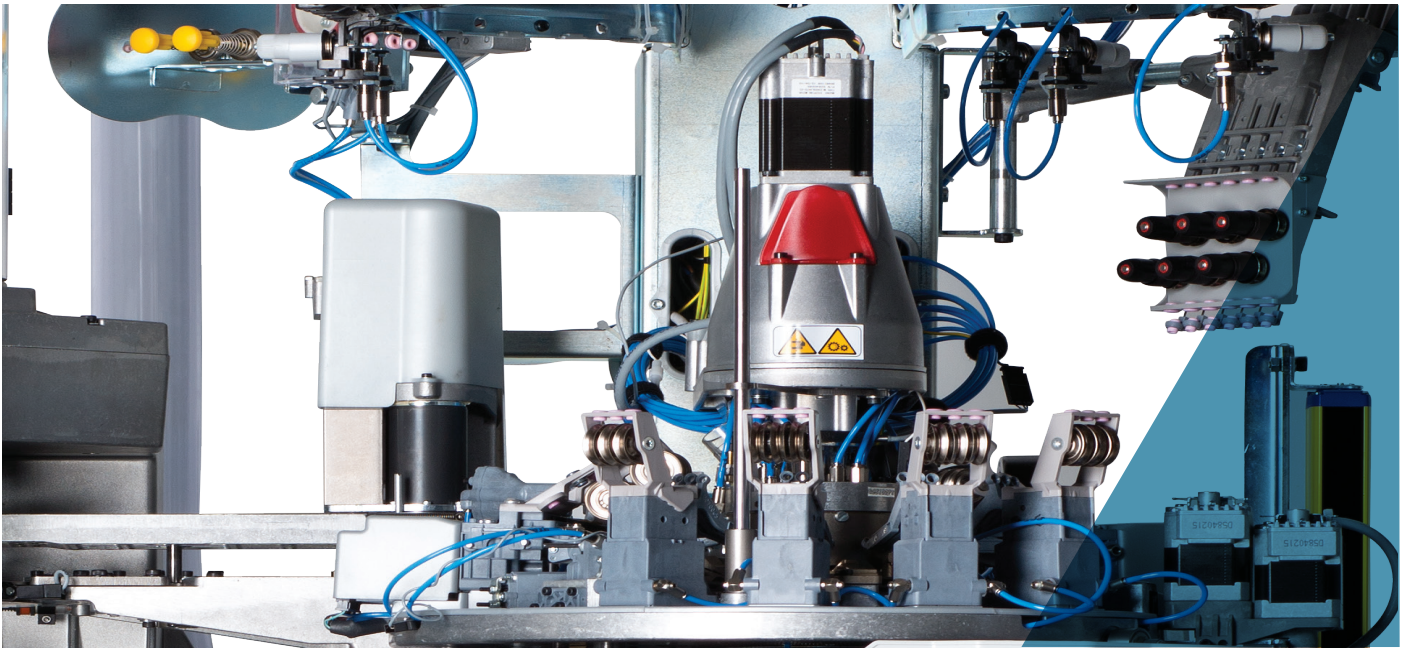
**SBYS DEVICE**  
for automatic  
linking

**KNITTING HEAD**  
designed to knit high quality  
items and ensure constant  
reliability over time

**NEW  
ELECTRONICS**  
with high  
resolution touch  
screen display

**NEW BASE**  
designed to increase  
solidity and rigidity,  
allows a more ergonomic  
assembling of  
components





All images in this brochure are indicative and not binding.

## SINGLE CYLINDER

### GK725H - GK625H - GK525H

Goal Series 2 feeds machines are designed to increase productivity still ensuring best quality. They are available in different diameters with different numbers of needles. Automatic linking with SBYS device, performing a "real linking" technique. Advantages are remarkable: superior quality sock finishing, more comfort and resistance compared to socks made using conventional systems. Latest generation electronics provides control and execution of all machine commands. Drawings and articles are created and managed by Digraph 3 Plus software package, which contains a full collection of styles the operator can combine in different ways to obtain the desired results.

- 5 colors pattern with 1 feeds, plain knit
- Reciprocated heel and toe in different sizes and 3D effects
- 28 yarn fingers
- Rising dial and finger plate with stepping motor
- 9 electronic actuators for needle selection
- Brushless coaxial main motor

#### MACHINE DIMENSIONS



Lenght max cm 127.3  
Depth max cm 114.8  
Height max cm 228

#### MACHINE WEIGHT



ca. 320 Kg

# SINGLE CYLINDER

## GK725H - GK625H - GK525H

### TECHNICAL DATA

MODEL	CYLINDER DIAMETER	GAUGE	NEEDLE THICKNESS
GK725H	3"1/2	7 1/2 to 20	0.85 - 0.70 - 0.60 mm
GK625H	3"3/4	from 9 to 20	0.85 - 0.70 - 0.60 mm
GK525H	4"	from 8 1/2 to 19	0.85 - 0.70 - 0.60 mm

Above data are indicative and not binding.

### STANDARD DEVICES

- Stepper motor electric dial with adjustable height
- Stitch cam feed 1 and 2 different heights.
- High speed sinker cap
- High resolution touch screen display
- Yarn sliding sensors guard cleaning device
- Heel yarn recover device with four positions
- 14 color yarn fingers
- 2 stepper motor controlled adjustable suction valves
- 9 yarn fingers on first feed, 6 on second feed
- Yarn creel
- USB port
- Circular yarn cutter with mechanical stop
- 1 yarn finger on laid-in elastic feed

### MAIN OPTIONAL DEVICES

- LGL Eco Power or Eco Compact yarn storage feeder
- Dinema YoYo positive yarn feeders
- Elastic yarn positive feeders, for compression socks
- Dinema Plus elastane positive feeders
- Stitch cams on feeds 1 and 2 with 2 heights
- Motorized stitch cams
- Motorized sinkers cap for sinkers pressure
- Motorized sinkers cap for sinkers pressure and angular position
- Antitwist device
- Footlet device
- Inside-out sock ejection device
- Elastane extra pliers device
- Recover yarn device, 6 positions
- Yarn trimming circular cutter with adjustable speed
- Knitting device inspection lamp
- Preparation for storage feeder "Unifeeder 2" by BTR
- Ethernet board for connection to Dinema Nautilus data collector system
- Second elastic yarn finger on second feed
- Yarn sliding control sensors, Dinema ISPY
- Pneumatic yarn tensioner for covered elastane
- Suction fan

### POSSIBLE KNITTING

The standard machine can perform the following knittings

- Mesh, tuck and float stitch, jacquard, 2 feeds
- 5 colors pattern plus ground color, mesh, tuck and float stitch, 1 feed
- With laid-in elastic: 5 colors pattern plus ground color, tuck and float stitch, 1 feed
- With laid-in elastic: 4 colors pattern plus ground color, mesh, tuck and float stitch, 1 feed
- Laid-in elastic on 2 feeds, that is 1 elastic course every 2 knitted courses
- With the second elastic yarn finger 4 colors pattern on course plus ground, tuck and float stitch, 1 feed
- With the second elastic yarn finger 3 colors pattern on course plus ground, mesh, tuck and float stitch, one feed

## NUMBER OF COLORS

Number of colors	5 colors on course plus ground color, one feed
------------------	--

## PERFORMANCES

	3" 1/2 3" 3/4 4" CYLINDERS
KNITTING FEATURES	Patterns or selections 300 rpm Plain knit without pattern 350 rpm
MAXIMUM SPEED	350 rpm

Above data are indicative and not binding.

DISCLAIMER: maximum speed may vary depending on yarn, knitting, lubrication etc

## GAUGE

		GAUGE																										
Model	ø	6½	7	7½	8	8½	9	9½	10	10½	11	11½	12	12½	13	13½	14	14½	15	15½	16	16½	17	17½	18	18½	19	20
GK525H	4"					108 112		116 120		128 132	136	144		156 160		168	176	180	188	192	200				216 220		240	
		Needle thickness 0.85 mm												Needle thickness 0.70 mm						Needle thickness 0.60 mm								
		Needle thickness 0.70 mm						Needle thickness 0.70 mm						Needle thickness 0.60 mm														
GK625H	3"3/4						108	112	116	120 128	132	136	144		156	160	168		176	180	188	192	200			216 220		240
		Needle thickness 0.85 mm												Needle thickness 0.70 mm						Needle thickness 0.60 mm								
		Needle thickness 0.70 mm						Needle thickness 0.70 mm						Needle thickness 0.60 mm														
GK725H	3"1/2			84	88	96	100		108 112	116	120	128	132		144		156		168			180		192	200			220
		Needle thickness 0.85 mm												Needle thickness 0.70 mm						Needle thickness 0.60 mm								
		Needle thickness 0.70 mm												Needle thickness 0.60 mm														

Above data are indicative and not binding.

### DISCLAIMER:

All features in the brochure are for information only and subject to change without any prior notice.

For a complete list of available options, please contact Lonati sales network.

The Company accepts no liability for improper use of machinery.

# SINGLE CYLINDER

GK725H - GK625H - GK525H

## NOISE LEVEL (Maximum noise output for GK series models)

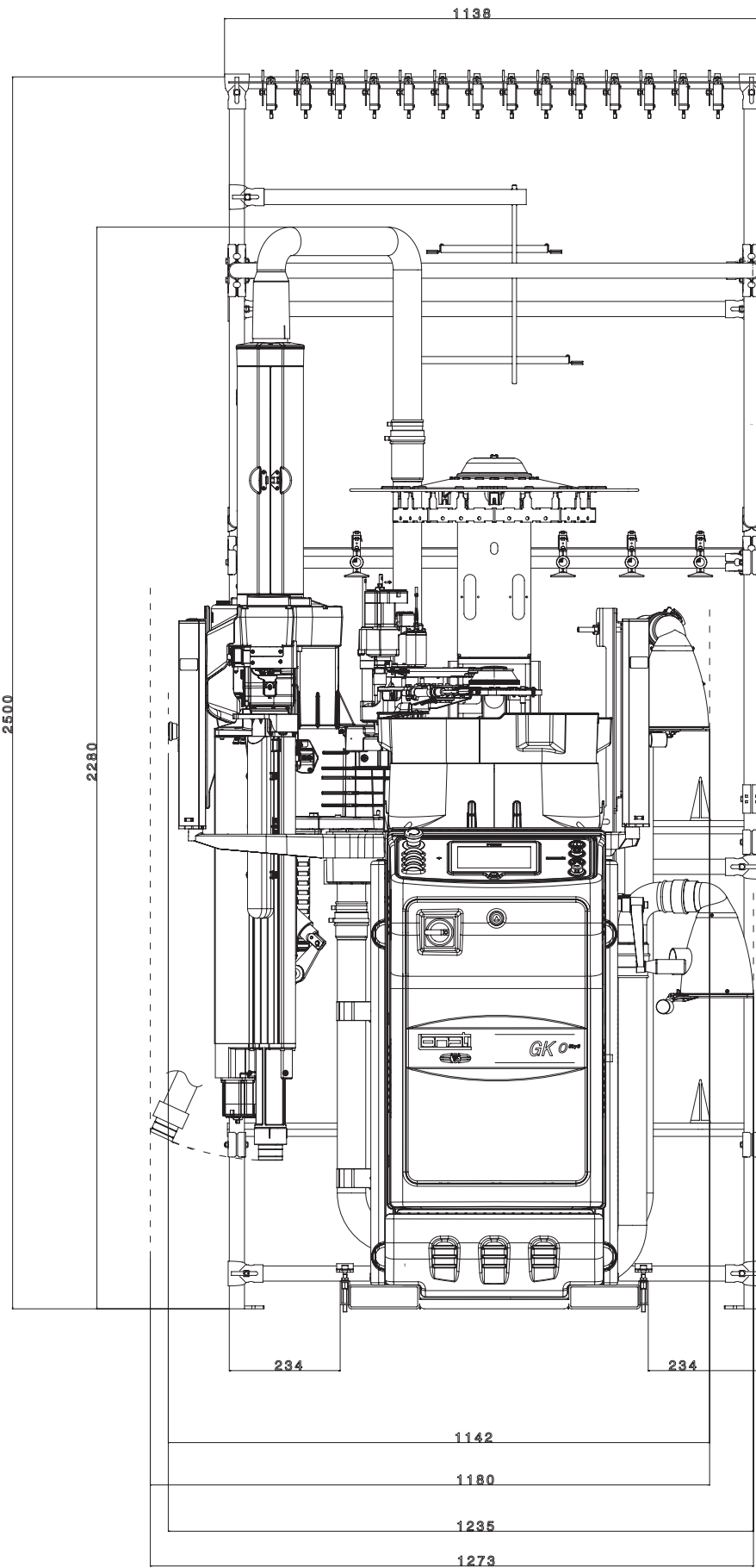
Noise pressure level on reference surface = LPA 79,5 dB - Noise power level = LWA 96,6 dB - Peak= 109,3 dB

## LUBRICANTS

Average consumption for 100 dozens= 270 gr. Lonati recommends: Kluber Madol 183 Supreme - Fuchs Trax 16C

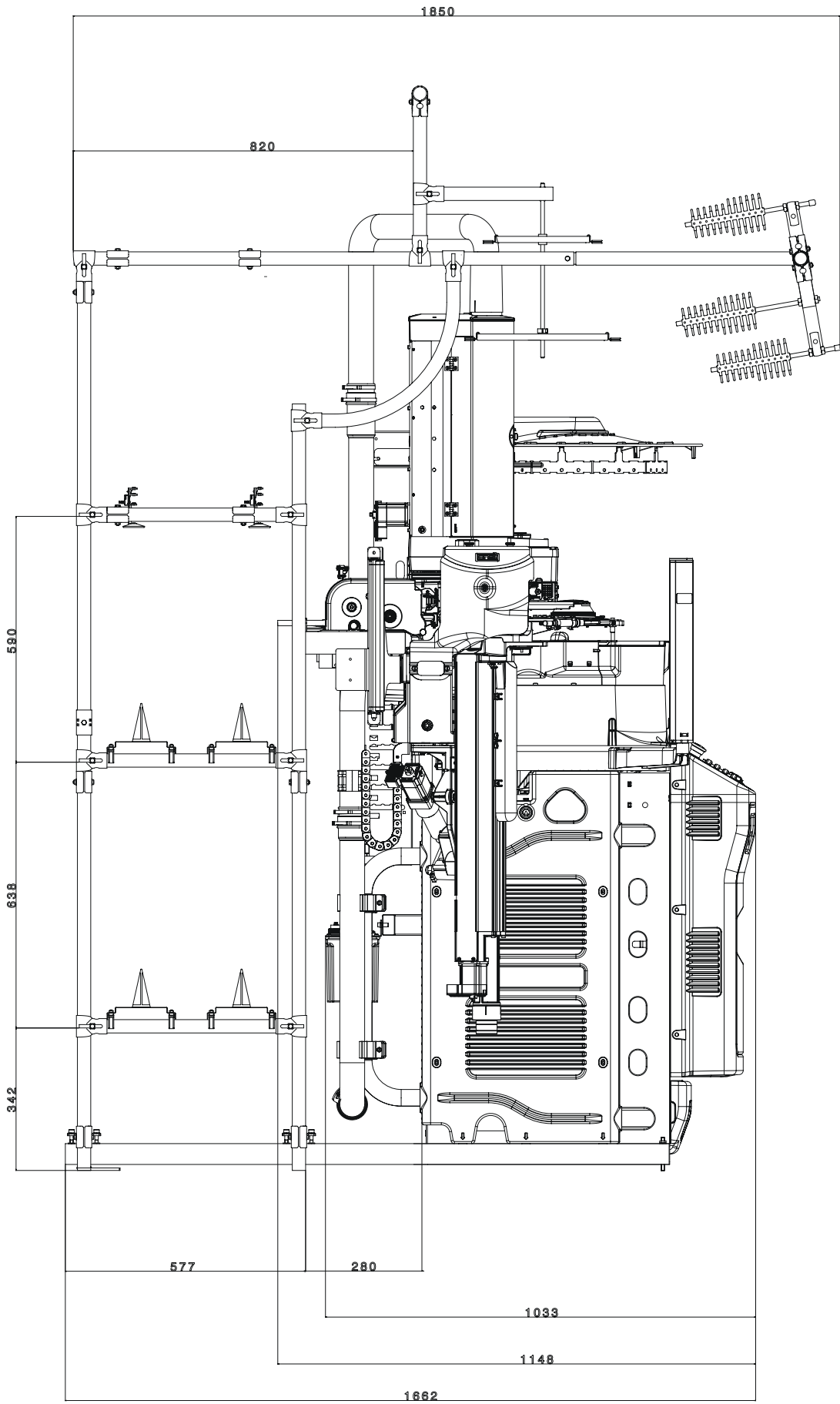
## GREASE

For seals, bearings etc: Lonati recommends: TechnolubeSeals Damping grease Nyogel 774F-1



DESCRIPTION	CODE	NR. OF REELS	WEIGHT KG.	NOTES
Yarn creel	G3930061	28	51	Standard version
Yarn creel	G3930062	28	51	Version with BTR sensors





DESCRIPTION	CODE	NR. OF REELS	WEIGHT KG.	NOTES
Yarn creel	G3930061	28	51	Standard version
Yarn creel	G3930062	28	51	Version with BTR sensors

# NOTE

GK725H - GK625H - GK525H





LONATI SPA  
Via Francesco Lonati, 3 | 25124 Brescia (Italy)  
Tel. +39 03023901 | Fax +39 030 2310024  
C.F.: 01469680175 | P.iva: 02096730961  
info@lonati.com - www.lonati.com